

HIPPO

· 2024



CONTENTS

01	PET MATERIAL ITEM.....01	02	rainbow container..... 07
03	bento lunch box 12	04	cake carrier 15
05	food container with lock. 19	06	no lock food container. 34
07	microwave vent series... 41	08	cereal container 43
09	water jugs 48	10	snacky(chair&bag)..... 58

MORE THAN **20 YEARS**
PLASTIC PRODUCTS

SINCE 1998

Environmental Protection



PET MATERIAL ITEM



2162B

4800ml+3500ml+2400ml+1500ml



2162-3B

3500ml+2400ml+1500ml



2162-2B

2400ml+1500ml



2162B-1

28*28*14

4800ml



2162B-2

25.3*25.3*12.2

3500ml



2162B-3

22.5*22.5*10.8

2400ml



2162B-4

19.5*19.5*9.3

1500ml

PACKAGE INFORMATION

ITEM	PCS/40'HQ	CTN SIZE(CM)	CBM/CTN	PCS /CTN	N.W/G.W
2162B	6170	77.5*29.5*57	0.1303	12	13.9/14.9
2162-3B	9920	69*47*50	0.1621	24	18/19
2162-2B	13730	61.5*42.5*56	0.1464	30	12.8/13.8
2162B-1	24014	62*30*60	0.1116	40	16.4/17.4
2162B-2	32843	54*27*56	0.0816	40	12.8/13.8
2162B-3	43696	71*24*54	0.092	60	15/16
2162B-4	92841	63*21.5*32	0.0433	60	10.7/11.7

PET MATERIAL ITEM



2160B
3600ml+2200ml+1200ml



2160B-1
21.5*21.5*13.8
3500ml



2160B-2
19*19*11.5
2200ml



2160B-3
17*17*9.5
1200ml



2161B
4500ml+2500ml+850ml



2161B-1
27.8*22.2*11.8
4500ml



2161B-2
24.3*18*9.5
2500ml



2161B-3
20*13*7
850ml

PACKAGE INFORMATION

ITEM	PCS/40'HQ	CTN SIZE(CM)	CBM/CTN	PCS /CTN	N.W/G.W
2160B	10203	64*22*56	0.0788	12	8.7/9.5
2160B-1	10197	64*44*56	0.1577	24	7.7/8.7
2160B-2	15193	58*39*58.5	0.1323	30	7.2/8.2
2160B-3	23440	68*52*48.5	0.1715	60	10/11
2161B	8903	66*28.5*48	0.0903	12	12.5/13
2161B-1	9064	66*56*48	0.1774	24	12/13
2161B-2	15079	55*50*48.5	0.1333	30	10.5/11.5
2161B-3	35071	52*41*43	0.0917	48	9.4/10.4

PPET MATERIAL ITEM



2361
31*31



2362
35.5*35.5

2363
40.5*40.5



2371
31*31

2372
35.5*35.5

2373
40.5*40.5



2365
35*25



2366
39.5*28.6

2367
44.5*32



2375
35*25

2376
39.5*28.6

2377
44.5*32



PACKAGE INFORMATION

ITEM	PCS/40'HQ	CTN SIZE(CM)	CBM/CTN	PCS /CTN	N.W/G.W
2361	27686	33*32*55	0.0581	24	8.5/9.5
2362	21079	38*36.5*55	0.0763	24	10.8/11.5
2363	16195	43.5*41.5*55	0.0993	24	13.5/14.5
2371	27686	33*32*55	0.0581	24	8.5/9.5
2372	21079	38*36.5*55	0.0763	24	10.8/11.5
2373	16195	43.5*41.5*55	0.0993	24	13.5/14.5
2365	28289	39*26.5*55	0.0568	24	10/11
2366	22149	44*30*55	0.0726	24	12.2/13.2
2367	17994	48.5*33.5*55	0.0894	24	15.6/16.5
2375	28289	39*26.5*55	0.0568	24	10/11
2376	22149	44*30*55	0.0726	24	12.2/13.2
2377	17994	48.5*33.5*55	0.0894	24	15.6/16.5

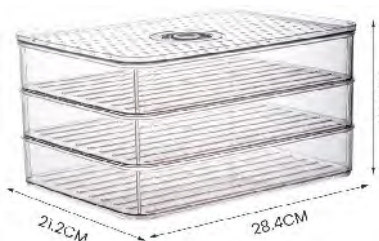
PET MATERIAL ITEM



JC-2202-1
28.4*21.2*6
1700ml



JC-2202-2
28.4*21.2*10.7
1700ml*2



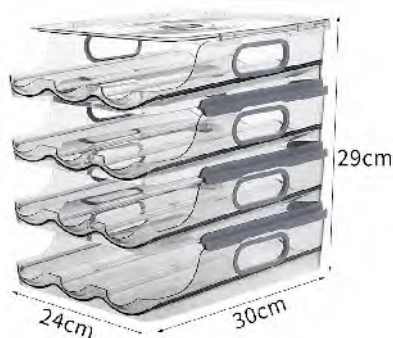
JC-2202-3
28.4*21.2*15.4
1700ml*3



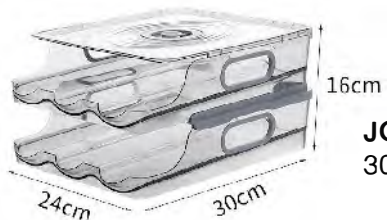
JC-2202-4
28.4*21.2*20.1
1700ml*4



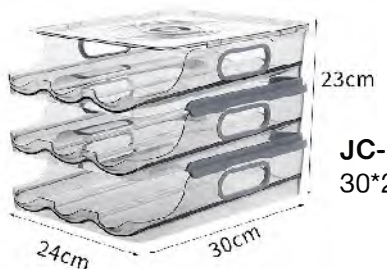
JC-2203-1
30*23*7.2



JC-2203-4
30*23*28



JC-2203-2
30*23*14



JC-2203-3
30*23*21



JC-2206
33*17.6*12
3600ml

PACKAGE INFORMATION

ITEM	PCS/40'HQ	CTN SIZE(CM)	CBM	PCS /CTN	N.W/G.W
JC-2202-1	17780	64*58*36	0.1336	36	14.8/15.8
JC-2202-2	9766	58*43.5*53	0.1372	20	13/14
JC-2202-3	6924	58*43.5*46	0.1161	12	10.6/11.6
JC-2202-4	5164	58*43*41	0.1023	8	9/10
JC-2203-1	12097	48*31*44	0.0655	12	5.4/6.4
JC-2203-2	9132	71*31*40	0.088	12	9.3/10.3
JC-2203-3	7272	47.5*31*50	0.0736	8	8.7/9.7
JC-2203-4	6336	48*31*56	0.0833	8	11.2/12.2
JC-2206	9195	54*34*59.5	0.1	15	10/11

PET MATERIAL ITEM



**JC-2205
with pedestal**
26.5*26.5*34
1500ml*4



**JC-2205
with time recor lid**
26.5*26.5*21
1500ml*4



**JC-2205
with time recor lid**
26.5*26.5*21
1500ml*4



JC-2205+cups
26.5*26.5*21
1500ml*4



**JC-2205
+cups+pedesta**
26.5*26.5*34
1500ml*4



JC-2205 plate
38



**JC-2205
whole set**
26.5*26.5*21
1500ml*4



PACKAGE INFORMATION

ITEM	PCS/40'HQ	CTN SIZE(CM)	CBM	PCS /CTN	N.W/G.W
JC-2205 with pedestal	2626	27.5*27.5*34	0.0257	1	1.15/1.65
JC-2205 with time recor lid	4219	27*27*22	0.016	1	0.85/1.35
JC-2205 with time recor lid	421	27*27*22	0.1603	1	0.95/1.45
JC-2205+cups	4219	27*27*22	0.016	1	1.85/2.45
JC-2205 +cups+pedesta	2626	27.5*27.5*34	0.0257	1	1.4/1.9
JC-2205 whole set	1810	37*28*36	0.0373	1	1.8/2.3
JC-2205 plate	26645	39*39*40	0.0608	24	10.9/11.9

PET MATERIAL ITEM



JC-2209
25.5*8.5



JC-2209-1
25.5*8.5



JC-2209-5
25.5*38.5



JC-2309
14.5*14.5*10



JC-8001
30*10*11



PACKAGE INFORMATION

ITEM	PCS/40'HQ	CTN SIZE(CM)	CBM	PCS /CTN	N.W/G.W
JC-2209	42925	51.5*26*47	0.0629	40	13/14
JC-2009-1	3293	16*8*16	0.0205	1	0.4/0.8
JC-2009-5	6250	26*16*26	0.0108	1	1.6/2.1
JC-2309	24120	53*30*62	0.1	36	9.2/10
JC-8001	16488	70.5*31*67	0.146	36	20.2/21.2

RAINBOW CONTAINER



8 pcs/set

JC-888-8
25.5*25.5*13.5
350+650+900+1500+
2300+3400+4550+6200ml



7 pcs/set

JC-888-7
23.2*23.2*11.7
350+650+900+1500+
2300+3400+4550ml



6 pcs/set

JC-888-6
21.5*21.5*10.5
350+650+900+
1500+2300+3400ml



5 pcs/set

JC-888-5
19.5*19.5*9
350+650+900+
1500+2300ml



4 pcs/set

JC-888-4
17.7*17.7*7.5
350+650+900+1500ml



3 pcs/set

JC-888-3
16*16*6
350+650+900ml

PACKAGE INFORMATION

ITEM	PCS/40'HQ	CTN SIZE(CM)	CBM/CTN	PCS /CTN	N.W/G.W
JC-888-8	6672	77*26.5*59	0.1204	12	11.4/12.4
JC-888-7	9972	70*24*48	0.0806	12	8.5/9.5
JC-888-6	13368	65*43*43	0.1202	24	11.5/12.5
JC-888-5	18990	59*39*46	0.1058	30	11/12
JC-888-4	27108	54*35.5*46	0.0882	36	8.8/9.8
JC-888-3	41544	64*49*37	0.1160	72	11/12

RAINBOW CONTAINER



JC-2016-7
26*26*11.5
4500+2500+1500+800+
450+250+150ml



JC-2016-6
21.5*21.5*9.5
2500+1500+800+
450+250+150ml



JC-2016-5
18*18*8.5
1500+800+450+250+150ml



JC-2016-4
15*15*7
800+450+250+150ml



JC-2018-7
28*21*10
4300+2650+1650+1150+
750+450+250ml



JC-2018-6
25*17.7*8.5
2650+1650+1150+
750+450+250ml



JC-2018-5
22.5*15.5*7.5
1650+1150+750+450+250ml



JC-2018-4
20*13*6.5
1150+750+450+250ml

PACKAGE INFORMATION

ITEM	PCS/40'HQ	CTN SIZE(CM)	CBM/CTN	PCS /CTN	N.W/G.W
JC-2016-7	9984	72*47.5*48	0.1607	24	12/13
JC-2016-6	15504	82*42*59	0.2032	48	16/17
JC-2016-5	25620	68.5*52*44	0.1567	60	12.5/13.5
JC-2016-4	43200	57*43.5*45	0.1116	72	9.5/10.5
JC-2018-7	11400	61*55*52.5	0.1761	30	17/18
JC-2018-6	18432	68.5*48*53	0.1743	48	19/20
JC-2018-5	26760	72.5*44.5*46.5	0.1500	60	16/17
JC-2018-4	40536	59*38*52.5	0.1177	72	12.5/13.5

RAINBOW CONTAINER



7 PCS
/CTN

JC-2020-7
27*27*12
4900+3200+1870+1200+
680+330+220ml



6 PCS
/CTN

JC-2020-6
23*23*10.5
3200+1870+1200+
680+330+220ml



5 PCS
/CTN

JC-2020-5
19.5*19.5*9
1870+1200+680+330+220ml



4 PCS
/CTN

JC-2020-4
16.8*16.8*7.8
1200+680+330+220ml



PACKAGE INFORMATION

ITEM	PCS/40'HQ	CTN SIZE(CM)	CBM/CTN	PCS /CTN	N.W/G.W
JC-2020-7	7944	75*51*49	0.2021	24	13/14
JC-2020-6	11400	70*47*53.5	0.176	30	11.2/12.2
JC-2020-5	18396	59.5*40*55	0.1309	36	8.6/7.6
JC-2020-4	28608	68.5*34.5*47.5	0.1123	48	7.3/8.3

RAINBOW CONTAINER



5
pcs
set

JC-2165-5
24*24*10.5
4000+2450+1300+
600+270ml



5
pcs
set

JC-2165-5D
24*24*10.5
4000+2450+1300+
600+270ml



4
pcs
set

JC-2165-4
21*21*9
2450+1300+600+270ml



3
pcs
set

JC-2165-3
17*17*7.5
1300+600+270ml



5
pcs
set

JC-2166-5
27.5*27.5*10.5
4100+2600+1600+
800+300ml



5
pcs
set

JC-2166-5D
27.5*27.5*10.5
4100+2600+1600+
800+300ml



4
pcs
set

JC-2166-4
23.5*23.5*9
2600+1600+800+300ml



3
pcs
set

JC-2166-3
20*20*7.5
1600+800+300ml

PACKAGE INFORMATION

ITEM	PCS/40'HQ	CTN SIZE(CM)	CBM/CTN	PCS /CTN	N.W/G.W
JC-2165-5	11088	71*47.5*43	0.1450	24	10.5/11.5
JC-2165-5D	11088	71*47.5*43	0.1450	24	10.5/11.5
JC-2165-4	17172	61.5*41.5*55	0.1404	36	10/11
JC-2165-3	29568	69*35*45	0.1087	48	7.7/8.7
JC-2166-5	9624	76*51*43	0.1667	24	11/12
JC-2166-5D	9624	76*51*43	0.1667	24	11/12
JC-2166-4	14544	67*45*55	0.1658	36	10/11
JC-2166-3	25200	74.5*38*45	0.1274	48	7.7/8.7

RAINBOW CONTAINER



5 pcs
set

JC-2178-5
28*21*10
4200+2250+1250+
750+300ml



5 pcs
set

JC-2178-5D
28*21*10
4200+2250+1250+
750+300ml



4 pcs
set

JC-2178-4
24*16.5*8.5
2250+1250+750+300ml



4 pcs
set

JC-2178-4B
24*16.5*8.5
2200+1250+750+300ml



3 pcs
set

JC-2178-3
20.5*13*6.5
1250+750+300ml



PACKAGE INFORMATION

ITEM	PCS/40'HQ	CTN SIZE(CM)	CBM/CTN	PCS /CTN	N.W/G.W
JC-2178-5	11160	61*56*42	0.1435	24	10/11
JC-2178-5D	11160	61*56*42	0.1435	24	10/11
JC-2178-4	17856	51*49*54	0.1349	36	9/10
JC-2178-4B	17856	51*49*54	0.1349	36	9/10
JC-2178-3	32784	53*43*43	0.0980	48	7/8

BENTO LUNCI BOX



JC-2201
18.8*18.8*8.5
1200ml



JC-2026
19*12.3*6.9
900ml



INNER BOX CAN COMBINE FREELY



JC-2036
26*19*7.2
1500ml



PACKAGE INFORMATION

ITEM	PCS/40'HQ	CTN SIZE(CM)	CBM	PCS /CTN	N.W/G.W
JC-2201	20195	58*39*44	0.0995	30	11.6/12.6
JC-2026	39024	57*26*56	0.083	48	--
JC-2036	18684	57*52*44 12	0.13	36	--

BENTO LUNCH BOX



JC-1708
18*14*7.5
800ml



JC-1709
18.5*15*8
800ml



JC-1810A
18.5*12*7.5 + 7*7*17
800+500ml



JC-1811
25.5*19.5*5.8
1250ml



JC-1812
25.5*19.5*6.3
1250ml



JC-1813
18.5*12*7.5
800ml

PACKAGE INFORMATION

ITEM	PCS/40'HQ	CTN SIZE(CM)	CBM	PCS /CTN	N.W/G.W
JC-1708	37440	66*54.5*60	0.2158	120	11.4/12.5
JC-1709	30780	72*44.5*41	0.1314	60	7.3/8.3
JC-1810A	20736	77.5*63*48	0.2344	72	17.8/18.8
JC-1811	22608	78*52*53	0.215	72	15.5/16.5
JC-1812	21024	78*52*57	0.2312	72	17/18
JC-1813	27216	75.5*29*46.5	0.1788	72	10.5/11.5

BENTO LUNCI BOX



JC-1819
22*18*10.5
1300ml



JC-1818
23*19*6
1000ml



JC-1915
17.5*16*24
700ml



JC-1916
22.5*14*23.5
1000ml



JC-1917
17.5*16*24
900ml



JC-2046
21*14*7.8
1450ml



JC-2328
21.5*15.6*7.4
1300ml



JC-8005
22.8*16*6.5
1200ml

PACKAGE INFORMATION

ITEM	PCS/40'HQ	CTN SIZE(CM)	CBM/CTN	PCS /CTN	N.W/G.W
JC-1819	17820	65*35*60	0.1365	36	4.3/5.3
JC-1818	25128	75*46*56	0.1932	72	10.8/11.8
JC1915	9720	68*51*72	0.2497	36	13.5/15
JC1916	8550	71.5*46*72	0.2368	30	15/16.5
JC-1917	9432	71.5*50*72	0.2574	36	16/17.5
JC-2046	26976	57*43*49	0.1201	48	11.5/12.5
JC-2328	26217	47*43*45.5	0.092	36	12.2/13.2
JC-8005	25920	70*32.5*54.5	0.124	48	15/16

CAKE CARRIER



JC-1702
33.5*32.5*15
10-Inch



JC-1703
29*23*13
8-Inch



JC-2102
23.5*31*12
10-Inch



JC-2103
23*32*12.5
8-Inch



JC-2104
23.5*28.5*12.5
8-Inch



JC-2105
28*20*15.5
8-Inch



JC-2106
28.5*23.5*15
8-Inch



JC-2106+
28.5*23.5*15
8-Inch

PACKAGE INFORMATION

ITEM	PCS/40'HQ	CTN SIZE(CM)	CBM	PCS /CTN	N.W/G.W
JC-1702	17748	69*34.5*57.5	0.1369	36	16/17
JC-1703	15840	62*30*55	0.1023	24	8/9
JC-2102	52920	62*31.5*47	0.0918	72	15/16
JC-2103	19512	58*29*74	0.1245	36	9.5/10.5
JC-2104	27408	58*30*68	0.1183	48	10.5/11.5
JC-2105	25872	58*30*72	0.1253	48	12/13
JC-2106	15912	58*29*60.5	0.1018	24	8/9
JC-2106+	13008	54*29*45.5	0.1245	24	9.5/11

CAKE CARRIER



JC-2106B
28.5*23.5*17.5
High 8-Inch



JC-2106B+
28.5*23.5*17.5
High 8-Inch



JC-2107
36.8*32.6
32*32*17
10-Inch



JC-2107+
36.8*32.6
32*32*17.5
10-Inch



JC-2108
40.5*27.8
35.5*27*16.5
12-Inch



JC-2108+
40.5*27.8
35.5*27*16.5
12-Inch



JC-2109
31*27*15.5
10-Inch



JC-2109+
31*27*15.5
10-Inch

PACKAGE INFORMATION

ITEM	PCS/40'HQ	CTN SIZE(CM)	CBM/CTN	PCS /CTN	N.W/G.W
JC-2106B	14832	58*29*65	0.1093	24	8.8/9.8
JC-2106B+	11904	58*29*81	0.1362	24	10.5/11.5
JC-2107	11160	67*38*57	0.1451	24	12.5/13.5
JC-2107+	9096	67*38*70	0.1782	24	12.5/13.5
JC-2108	11088	57*42*61	0.1460	24	13/14
JC-2108+	9144	57*42*74	0.1772	24	13/14
JC-2109	13368	63*31.5*61	0.1211	24	9.8/11
JC-2109+	11016	63*31.5*74	0.1469	24	11.6/12.6

CAKE CARRIER



JC-2109B
31*27*15.5
10-Inch



JC-2145
36*27*7



JC-2146
39*34*15
10-Inch



JC-2170
30*12.5
36.5*16*13.5



JC-2175
φ32*32*11cm
10-Inch



JC-2172
22*26.3*12.5
8-Inch



JC-2173
33.5*27*19
12-Inch

CAKE ON THE FRONT,
CUPCAKE ON THE BACK



PACKAGE INFORMATION

ITEM	PCS/40'HQ	CTN SIZE(CM)	CBM	PCS /CTN	N.W/G.W
JC-2109B	9720	63*31.5*84	0.1667	24	14.1/15.1
JC-2145	28272	52*38*56	0.1146	48	14/15
JC-2146	11160	69*34.5*61	0.1452	24	10/10.8
JC-2170	23088	66*38*56	0.1404	48	13/14
JC-2172	33072	53*28*66	0.0979	48	8.5/9.5
JC-2173	11352	72*36*55	0.1426	24	11/12
JC-2175	6696	63*32*60	0.1210	12	7.2/8.3

CAKE CARRIER



JC-2177A
35.5*26*10.5



JC-2177B
35.5*26*19



JC-2177C
35.5*26*27.5



JC-2177D
36*26*35.5



JC-2176
φ38*23*30cm
10+8+6-Inch



JC-1702B
33.5*32.5*18.5
10-Inch



JC-2308
38*29*12.5



JC-2308B
38*29*16.5

PACKAGE INFORMATION

ITEM	PCS/40'HQ	CTN SIZE(CM)	CBM/CTN	PCS /CTN	N.W/G.W
JC-2177A	6232	56*36*43	0.0867	8	5.2/6.2
JC-2177B	3380	54*37*40	0.0799	4	4.5/5.5
JC-2177C	2392	56*36*56	0.1129	4	6.4/7.4
JC-2177D	1810	56*36*37	0.0746	2	4.1/5.1
JC-2176	4410	72*38*56	0.1532	10	12/13
JC-1702B	16080	69*34.5*63	0.15	36	22/23
JC-2308	4632	38*29*12.5	0.0855	6	4.5/5.5
JC-2308B	4698	55.5*39*39.5	0.0855	6	5.1/6.1

UNBREAKABLE LOCK



6 pcs
set

JC-2160-6
21.5*21.5*13.8
3600+2200+1200+
650+260+70ml



5 pcs
set

JC-2160-5
19*19*11.5
2200+1200+
650+260+70ml



4 pcs
set

JC-2160
17*17*9.5
1200+650+260+70ml



3 pcs
set

JC-2160-3
14*14*7.5
650+260+70ml



4 pcs
set

JC-2161
27.8*22.2*11.8
5000+2500+900+350ml



3 pcs
set

JC-2161-3
24.3*18*9.5
2500+900+350ml

PACKAGE INFORMATION

ITEM	PCS/40'HQ	CTN SIZE(CM)	CBM/CTN	PCS /CTN	N.W/G.W
JC-2160-6	13536	64*22*42.5	0.0598	12	8/9
JC-2160-5	15912	57*38*47	0.1018	24	10.6/11.6
JC-2160	24060	51*34*48.5	0.0841	30	8.3/9.3
JC-2160-3	44928	56*28*46	0.0721	48	7.5/8.5
JC-2161	11964	66*28.5*36	0.0677	12	9.9/10.9
JC-2161-3	15840	49*36*58	0.1023	24	10.9/11.9

UNBREAKABLE LOCK



3
PCS/SET

JC-1705-3
16*13.5*10.5
1200+500+200ml



3
PCS/SET

JC-1705-3A
16*13.5*10.5
1200+500+200ml



4
PCS/SET

JC-1705
20*17*11.5
2000+1200+500+200ml



4
PCS/SET

JC-1705A
20*17*11.5
2000+1200+500+200ml



5
PCS/SET

JC-1705-5
23*20*12.5
3300+2000+1200+
500+200ml



5
PCS/SET

JC-1705-5A
23*20*12.5
3300+2000+1200+
500+200ml



5
PCS/SET

JC-1705-5H
23*20*12.5
3300+2000+1200+
500+200ml



5
PCS/SET

JC-1705-5G
23*20*12.5
3300+2000+1200+
500+200ml

PACKAGE INFORMATION

ITEM	PCS/40'HQ	CTN SIZE(CM)	CBM/CTN	PCS /CTN	N.W/G.W
JC-1705-3	25344	62*48*43	0.1280	48	10/11.3
JC-1705	15732	76*58*35	0.1543	36	13.1/14.1
JC-1705-5	9792	69*46.5*51.5	0.1652	24	13.6/14.6

UNBREAKABLE LOCK



3
PCS
SET

JC-1706-3
20*14.5*11
1200+500+200ml



3
PCS
SET

JC-1706-3A
20*14.5*11
1200+500+200ml



4
PCS
SET

JC-1706
24*18*12
3000+1750+850+220ml



4
PCS
SET

JC-1706A
24*18*12
3000+1750+850+220ml



5
PCS
SET

JC-1706-5
27.5*21.5*13
4700+3000+1750+
850+220ml



5
PCS
SET

JC-1706-5A
27.5*21.5*13
4700+3000+1750+
850+220ml



5
PCS
SET

JC-1706-5H
27.5*21.5*13
4700+3000+1750+
850+220ml



5
PCS
SET

JC-1706-5G
27.5*21.5*13
4700+3000+1750+
850+220m6

PACKAGE INFORMATION

ITEM	PCS/40'HQ	CTN SIZE(CM)	CBM/CTN	PCS /CTN	N.W/G.W
JC-1706-3	19776	62*48*43	0.1638	48	14.9/15.9
JC-1706	12096	76*58*35	0.2008	36	19.3/20.3
JC-1706-5	8304	82*44.5*53.5	0.1952	24	20.5/21.5

UNBREAKABLE LOCK



JC-1707-3
15*12.5*11
1350+600+200ml



JC-1707-3A
15*12.5*11
1350+600+200ml



JC-1707-4
19*16.5*12
2500+1350+600+200ml



JC-1707A
19*16.5*12
2500+1350+600+200ml



JC-1707-5
22*19.5*13
3900+2500+1350+
620+200ml



JC-1707-5A
22*19.5*13
3900+2500+1350+
620+200ml



JC-1707H
19*16.5*12
2500+1350+600+200ml



JC-1707-5G
22*19.5*13
3900+2500+1350+
620+200ml

PACKAGE INFORMATION

ITEM	PCS/40'HQ	CTN SIZE(CM)	CBM/CTN	PCS /CTN	N.W/G.W
JC-1707-3	24432	62*47*45.5	0.1326	48	12.6/13.6
JC-1707	14904	76*58*37	0.1631	36	17/18
JC-1707-5	9912	67*46*53	0.1633	24	18/19

FOOD CONTAINER WITH LOCK



2321-1
29*14.5*6
1500ml



2321-2
29*14.5*6*12
3500ml



*Drain water



*Drain water



2322-1
23*16*7
2200ml



2322-2
23*16*16
4100ml




2325
2550ml+1450ml+900ml



2325-1
14.5*14.5*7.2
900ml



2325-2
14.5*14.5*10
1450ml



2325-3
14.5*14.5*17
2550ml

PACKAGE INFORMATION

ITEM	PCS/40'HQ	CTN SIZE(CM)	CBM/CTN	PCS /CTN	N.W/G.W
2321-1	24145	60*45*37	0.0999	36	10.5/11
2321-2	12154	60*45*49	0.1323	24	8.6/9
2322-1	24727	49*47*43	0.099	36	8.3/9
2322-2	10720	65*47*49	0.15	24	8/8.5
2325	4155	61*61*52	0.1935	12	6/6.5
2325-1	40200	59*30*45	0.08	48	6/6.5
2325-2	33223	59*30*41	0.0726	36	5.5/6
2325-3	17478	59*30*52	0.092	24	5/5.5

FOOD CONTAINER WITH LOCK



2326
20*13*12
2000ml



2327-1
20*20*7.8
1900ml



2327-2
20*20*13
3600ml



*Drain water



*Drain water

PACKAGE INFORMATION

ITEM	PCS/40'HQ	CTN SIZE(CM)	CBM/CTN	PCS /CTN	N.W/G.W
2326	20556	53*41*48	0.1043	32	6.2/7
2327-1	20100	61*41*48	0.12	36	10/10.5
2327-2	12126	61*41*53	0.1326	24	8.5/9.2

FOOD CONTAINER WITH LOCK

LO



JC-1801
21*14.5*7
1500ml

PO



JC-1802
19.5*13*6.2
1100ml

JC-1803
16.5*9.5*4.8
500ml

PPO



JC-1805
10*8*4.8 (3PCS)
200ml



JC-1806
27*10*7
1100ml



JC-1807
14.5*14.5*6.5
700ml

*4 compartments



JC-1809
13*13*14.8
1400ml



JC-180X
1500+1100+500+
200+1100+700+1400ml



PACKAGE INFORMATION

ITEM	PCS/40'HQ	CTN SIZE(CM)	CBM/CTN	PCS /CTN	N.W/G.W
JC-1801	29196	21*14.5*7	0.0832	36	5.4/6
JC-1802	27000	19.5*13*6.2	0.09	36	6.6/7.2
JC-1803	27000	16.5*9.5*4.8	0.09	36	6.6/7.2
JC-1805	25092	10*8*4.8 (3PCS)	0.0968	36	3.9/4.5
JC-1806	33588	27*10*7	0.0723	36	5.5/6
JC-1807	41472	14.5*14.5*6.5	0.1172	72	11.8/12.8
JC-1809	18792	13*13*14.8	0.1293	36	4.4/5
JC-180X	4760	63*29.5*61	0.1134	8	6/7

FOOD CONTAINER WITH LOCK



4 PCS SET

JC-2135
18*17*9
1515+945+570+250ml



4 PCS SET

JC-2135A
18*17*9
1515+945+570+250ml



5 PCS SET

JC-2135-5
20*19*10.5
2500+1515+
945+570+250ml



5 PCS SET

JC-2135-5A
20*19*10.5
2500+1515+
945+570+250ml



6 PCS SET

JC-2135-6
24.5*23.5*12
4000+2500+1515+
945+570+250ml



6 PCS SET

JC-2135-6A
24.5*23.5*12
4000+2500+1515+
945+570+250ml

PACKAGE INFORMATION

ITEM	PCS/40'HQ	CTN SIZE(CM)	CBM/CTN	PCS /CTN	N.W/G.W
JC-2135	21552	73.5*37.5*54.5	0.1502	48	17/18
JC-2135-5	15408	62*41*62	0.1576	36	20/21
JC-2135-6	9744	73*49*46.5	0.1663	24	18.5/19.5

FOOD CONTAINER WITH LOCK



5
PCS
SET

JC-2135-5Ax



5
PCS
SET

JC-2135-5C



5
PCS
SET

JC-2135-5D



5
PCS
SET

JC-2135-5S



5
PCS
SET

JC-2135-5X



6
PCS
SET

JC-2135-6M



6
PCS
SET

JC-2135E



5
PCS
SET

JC-2135P



4
PCS
SET

JC-2135Q



FOOD CONTAINER WITH LOCK



4 PCS SET

JC-2136
22.7*16*8
1920+1280+640+290ml



4 PCS SET

JC-2136A
22.7*16*8
1920+1280+640+290ml



5 PCS SET

JC-2136-5
26*19*10
3750+1920+
1280+640+290ml



5 PCS SET

JC-2136-5A
26*19*10
3750+1920+
1280+640+290ml



6 PCS SET

JC-2136-6
29*22.5*11.5
5700+3750+1920+
1280+640+290ml



6 PCS SET

JC-2136-6A
29*22.5*11.5
5700+3750+1920+
1280+640+290ml

PACKAGE INFORMATION

ITEM	PCS/40'HQ	CTN SIZE(CM)	CBM/CTN	PCS /CTN	N.W/G.W
JC-2136	20124	69*33*52	0.1207	36	15.8/16.5
JC-2136-5	12420	80*40*51	0.1632	30	21/22
JC-2136-6	8688	68*59*46.5	0.1866	24	24/25

FOOD CONTAINER WITH LOCK



5
PCS
SET

JC-2136-5C



5
PCS
SET

JC-2136-5D



5
PCS
SET

JC-2136-5Q



5
PCS
SET

JC-2136-5P



5
PCS
SET

JC-2136-5X



6
PCS
SET

JC-2136-6M



FOOD CONTAINER WITH LOCK



4 PCS SET

JC-12137
18.7*18.7*8.2
2300+1380+920+460ml



4 PCS SET

JC-12137A
18*17*9
1515+945+570+250ml



5 PCS SET

JC-12137-5
21.3*21.3*9.2
3500+2300+
1380+920+450ml



5 PCS SET

JC-12137-5A
20*19*10.5
2500+1515+
945+570+250ml



6 PCS SET

JC-12137-6
25*25*11
5300+3500+2300+
1380+920+450ml



6 PCS SET

JC-12137-6A
24.5*23.5*12
4000+2500+1515+
945+570+250ml

PACKAGE INFORMATION

ITEM	PCS/40'HQ	CTN SIZE(CM)	CBM/CTN	PCS /CTN	N.W/G.W
JC-12137	20808	58*38*53	0.1168	36	15.5/16.5
JC-12137-5	17160	65*44*50	0.143	30	20/21
JC-12137-6	9504	75*50*45.5	0.1706	24	23/24

FOOD CONTAINER WITH LOCK



5
PCS
SET

JC-12137-5C



5
PCS
SET

JC-12137-5M



5
PCS
SET

JC-12137-5S



5
PCS
SET

JC-12137-5X



JC-12137D



4
PCS
SET

JC-12137Q



JC-12137E



5
PCS
SET

JC-12137-5P



6
PCS
SET

JC-12137-6B

FOOD CONTAINER WITH LOCK



4
PCS/CTN

JC-1736C
20.5*14.5*8
1900+1050+500+210ml



4
PCS/CTN

JC-1736M
20.5*14.5*8
1900+1050+500+210ml



5
PCS/CTN

JC-1736-5E
23.5*16.8*9.5
3000+1900+1050+
500+210ml



5
PCS/CTN

JC-1736-5S
23.5*16.8*9.5
3000+1900+1050+
500+210ml



4
PCS/CTN

JC-2015
18*18*15.8
2700+2100+1300+700ml



4
PCS/CTN

JC-2015A
18*18*15.8
2700+2100+1300+700ml



4
PCS/CTN

JC-2015C
18*18*15.8
2700+2100+1300+700ml



4
PCS/CTN

JC-2015Y
18*18*15.8
2700+2100+1300+700ml

PACKAGE INFORMATION

ITEM	PCS/40'HQ	CTN SIZE(CM)	CBM/CTN	PCS /CTN	N.W/G.W
JC-1736C	24588	64*30*51.5	0.0989	36	11.5/12.5
JC-1736-5C	20490	73*35.5*49	0.0989	30	15/16
JC-2015	11880	57*38*63	0.1365	24	11.5/12.5

FOOD CONTAINER WITH LOCK



JC-2151
11.8*8.5*4.7
200ml



JC-2152
15*15*8.3
857ml



JC-2153
28*28*14.5
4600ml



JC-1907
26*26*11.5



PACKAGE INFORMATION

ITEM	PCS/40'HQ	CTN SIZE(CM)	CBM/CTN	PCS /CTN	N.W/G.W
JC-2151	33152	51*38.5*42	0.0825	64	6.6/7.6
JC-2152	36612	42*31*51	0.0664	36	2.6/3.1
JC-2153	7368	55.5*30*44	0.0733	8	2.2/2.7
JC-1907	7624	53*27*48	0.0687	8	13.5/14.5

NO LOCK CONTAINER



2162

4800ml+3500ml+2400ml+1500ml



2162-3A

3500ml+2400ml+1500ml



2162-2A

2400ml+1500ml



2162-1

28*28*14

4800ml



2162-2

25.3*25.3*12.2

3500ml



2162-3

22.5*22.5*10.8

2400ml



2162-4

19.5*19.5*9.3

1500ml

PACKAGE INFORMATION

ITEM	PCS/40'HQ	CTN SIZE(CM)	CBM/CTN	PCS /CTN	N.W/G.W
2162	6170	77.5*29.5*57	0.1303	12	9.9/10.9
2162-3A	9920	69*47*50	0.1621	24	12.8/13.8
2162-2A	13730	61.5*42.5*56	0.1464	30	9.2/10.2
2162-1	24014	62*30*60	0.1116	40	11.6/12.6
2162-2	32843	54*27*56	0.0816	40	9/10
2162-3	43696	71*24*54	0.092	60	10.5/11.5
2162-4	92841	63*21.5*32	0.0433	60	7.8/8.8

NO LOCK CONTAINER



JC-2025

22.2*22.2*8.5

2170+1370+770+370ml



JC-2025-1

22.2*22.2*8.5

2170ml



JC-2025-2

19*19*7.8

1370ml



JC-2025-3

15.5*15.5*6.5

770ml



JC-2025-4

12.5*12.5*5.5

370ml



Color can be customized

With this multi-bowl set you have real all-rounders in the kitchen popular sizes in a set of 4 (sizes: 500 ml, 1000 ml, 2000 & 3000 ml); you can store, freeze and warm up food. The practical lids make this set ideal for storing leftover food, some soup, a pasta salad or vegetables.



PACKAGE INFORMATION

ITEM	PCS/40'HQ	CTN SIZE(CM)	CBM/CTN	PCS /CTN	N.W/G.W
JC-2025	14184	46*46*27	0.0571	12	7.3*8.3
JC-2025-1	14184	46*46*27	0.0571	12	2.9/3.5
JC-2025-2	22776	57*39*32	0.0711	24	4.3/4.9
JC-2025-3	40176	48.5*32*39	0.0605	36	4/4.6
JC-2025-4	72624	51*38*23	0.0446	48	3.5/4.1

NO LOCK CONTAINER



JC-2035
22.2*22.2*13
3300+2050+1120+580ml



JC-2035-1
22.2*22.2*13
3300ml



JC-2035-2
19*19*11.6
2050ml



JC-2035-3
15.5*15.5*9.8
1120ml



JC-2035-4
12.5*12.5*8.4
580ml



PACKAGE INFORMATION

ITEM	PCS/40'HQ	CTN SIZE(CM)	CBM/CTN	PCS /CTN	N.W/G.W
JC-2035	9576	46*46*40	0.0846	12	8.3/9.3
JC-2035-1	9576	46*46*40	0.0846	12	3.3/3.9
JC-2035-2	15648	57*39*46.5	0.1034	24	4.9/5.6
JC-2035-3	26532	48.5*32*59	0.0916	36	4.7/5.3
JC-2035-4	47808	51*38*35	0.0678	48	4.1/4.7

NO LOCK CONTAINER



JC-1902-5
10.2*10.2*13.5
700ml



JC-1902-5-6
10.2*10.2*13.5
700ml*6



JC-1902-6
7.5*7.5*6
150ml



JC-1902-6-6
7.5*7.5*6
150ml*6



PACKAGE INFORMATION

ITEM	PCS/40'HQ	CTN SIZE(CM)	CBM/CTN	PCS /CTN	N.W/G.W
JC-1902-5	46656	41*31*41	0.0521	36	2/2.6
JC-1902-5-6	25525	41*31*52	0.0661	25	8.2/9.2
JC-1902-6	262560	45*28*49	0.0617	240	5.6/6.6
JC-1902-6-6	69660	45*38*51	0.0872	90	12.6/13.6

NO LOCK CONTAINER



15^{PCS}
SET

JC-1902
33*23*16.5
9350+2400*2+800*2+
450*2+700*2+150*6ml



JC-1902-1
33*23*16.5
9350ml



JC-1902-2
20.5*20.5*8.3
2400ml



4^{PCS}
SET

JC-1902-2-4
20.5*20.5*8.3
2400ml*4



JC-1902-3
19*9*8.5
800ml



6^{PCS}
SET

JC-1902-3-6
19*9*8.5
800ml*6



JC-1902-4
19*9*5.5
450ml



6^{PCS}
SET

JC-1902-4-6
19*9*5.5
450ml*6

PACKAGE INFORMATION

ITEM	PCS/40'HQ	CTN SIZE(CM)	CBM/CTN	PCS /CTN	N.W/G.W
JC-1902	5640	64.5*44.5*50	0.1435	12	15.5/16.5
JC-1902-1	5640	64.5*44.5*50	0.1435	12	5/5.6
JC-1902-2	19080	61.5*41*50.5	0.1273	36	6.1/7.1
JC-1902-2-4	5640	61.5*41*50	0.1435	12	8.2/9.2
JC-1902-3	46440	57*45*51	0.1308	90	7/8
JC-1902-3-6	19230	57*45*41	0.1052	30	14/15
JC-1902-4	69660	57*45*34	0.0872	90	6/7
JC-1902-4-6	22560	57*45*35	0.0898	30	7.9/8.9

NO LOCK CONTAINER



4 pcs set

JC-2169
21.5*21.5*8.5
2600+1500+800+350ml



2 pcs set

JC-2017
33*24*10.5
5800ml*2



4 pcs set

JC-2169-1
21.5*21.5*8.5
2600ml*4

4 pcs set

JC-2169-2
18*18*7.5
1500ml*4

4 pcs set

JC-2169-3
14.5*14.5*6
800ml*4

4 pcs set

JC-2169-4
11*11*4.5
350ml*4



3 pcs set

JC-2019
29.2*20.5*9
3800ml*3



JC-2179
32*21*8
2100ml

PACKAGE INFORMATION

ITEM	PCS/40'HQ	CTN SIZE(CM)	CBM/CTN	PCS /CTN	N.W/G.W
JC-2169	18672	78.5*40.5*54.5	0.1733	48	12.5/13.5
JC-2169-1	12288	81*41*53	0.1760	32	15.5/16.5
JC-2169-2	19440	68*51*48	0.1665	48	14.5/15.5
JC-2169-3	33984	57*42.5*59	0.1429	72	14.5/15.5
JC-2169-4	67932	65*33*50	0.1073	108	10.5/11.5
JC-2017	6912	66.5*48*49	0.1564	16	8.2/9
JC-2019	8340	59.5*43.5*62.5	0.1618	20	11.5/13
JC-2179	57120	65*44.5*49	0.1417	120	17.5/18.5

NO LOCK CONTAINER



4 pcs set

JC-2167
23*23*9.2
2500+1500+750+400ml



4 pcs set

JC-2168
25*17.5*9
2300+1300+650+300ml



4 pcs set

JC-2167-1
23*23*9.2
2500ml*4

4 pcs set

JC-2167-2
19.5*19.5*7.5
1500ml*4

4 pcs set

JC-2167-3
16*16*6
750ml*4

4 pcs set

JC-2167-4
12.5*12.5*4.5
400ml*4



4 pcs set

JC-2168-1
25*17.5*9
2300ml*4

4 pcs set

JC-2168-2
20.5*14.5*7.5
1300ml*4

4 pcs set

JC-2168-3
16.5*11.5*6
650ml*4

4 pcs set

JC-2168-4
12.5*8.5*5
300ml*4

PACKAGE INFORMATION

ITEM	PCS/40'HQ	CTN SIZE(CM)	CBM/CTN	PCS /CTN	N.W/G.W
JC-2167	15480	66*44*54.5	0.1569	36	9.5/10.5
JC-2167-1	9144	68.5*47*55	0.1771	24	12/13
JC-2167-2	15320	77*39.5*58	0.1764	40	13.5/14.5
JC-2167-3	28440	64*48.5*55	0.1707	72	13/14
JC-2167-4	54648	76*39*45	0.1334	108	12/13
JC-2168	18306	71*52*56.5	0.1993	54	14.5/15.5
JC-2168-1	11264	71*50*54	0.1917	32	15.5/16.5
JC-2168-2	19152	80*45*47	0.1692	48	15/16
JC-2168-3	33720	59*49*41.5	0.1200	60	10.5/11.5
JC-2168-4	68148	54.5*38.5*51	0.1070	108	10.5/11.5

MICROWAVE VENTS SERIES



3 pcs
set

JC-2815
21*21*10.5
1800+1000+650ml



JC-1808
15*15*10
900ml



3 pcs
set

JC-2816
30.5*18.5*9
2400+1400+630ml



5 pcs
set

JC-1903
16.4*11.1*5.1
400ml*5



3 pcs
set

JC-2817
18*18*8.5
1500+800+450ml



3 pcs
set

JC-1908
24*16.5
3000+1800+1000ml

PACKAGE INFORMATION

ITEM	PCS/40'HQ	CTN SIZE(CM)	CBM/CTN	PCS /CTN	N.W/G.W
JC-2815	17280	77*58*42	0.1876	48	13.3/14.5
JC-2816	14256	72*59.5*53	0.2271	48	17/18
JC-2817	26208	70*51*52	0.1856	72	15.7/16.7
JC-1808	29376	60*46*60	0.1656	72	6.6/7.5
JC-1903	31560	57*50*45	0.1283	60	15.8/16.7
JC-1908	8046	67*46*49	0.1510	18	10.1/11.1

MICROWAVE VENTS SERIES



5 pcs
set

JC-1835-5
20*20*9
1900+1280+700+350+160ml



JC-1835-5B
20*20*9
1900+1280+700+350+160ml

5 pcs
set



5 pcs
set

JC-1836-5
23.5*17*9
2170+1500+830+460+170ml

JC-1836-5B
23.5*17*9
2170+1500+830+460+170ml

JC-1837-5B
20.5*20.5*9.5
2480+1550+850+450+160ml



5 pcs
set

JC-1837-5
20.5*20.5*9.5
2480+1550+850+450+160ml



JC-1835-5C
20*20*9
1900+1280+700+350+160ml

5 pcs
set



2159
25*23*4

JC-1836-5C
23.5*17*9
2170+1500+830+460+170ml

JC-1837-5C
20.5*20.5*9.5
2480+1550+850+450+160ml

PACKAGE INFORMATION

ITEM	PCS/40'HQ	CTN SIZE(CM)	CBM/CTN	PCS /CTN	N.W/G.W
JC-1835-5	17676	61*41*55	0.1376	36	16/17
JC-1836-5	17730	71*35*46	0.1143	30	17.2/18.2
JC-1837-5	15600	63*42*49	0.1297	30	17.5/18.5
2159	29348	25*23*4	0.0828	36	5.3/6

CEREAL CONTAINER



JC-2155
18*12*9.5
1220ml



JC-2156
18*12*11.5
1535ml



JC-2157
18*12*21.5
3000ml



JC-2158
18*12*30.5
4000ml



JC-215-567
25*18*21.5
1220+1535+3000ml



JC-215-578
25*18*30.5
1220+3000+4000ml



JC-215-568
25*18*30.5
1220+1220+1535+4000ml



JC-215-5678
36*18*30.5
1220+1535+3000+4000ml

PACKAGE INFORMATION

ITEM	PCS/40'HQ	CTN SIZE(CM)	CBM/CTN	PCS /CTN	N.W/G.W
JC-2155	32160	70.5*36.5*48.5	0.1248	60	8.3/9.3
JC-2156	26304	70.5*36.5*47.5	0.1222	48	7.7/8.7
JC-2157	14508	70.5*36.5*64.5	0.166	36	8.8/9.8
JC-2158	10056	70.5*36.5*62	0.1595	24	8.6/9.6
JC-215-567	5720	52*40*45	0.0936	8	4.4/5
JC-215-578	4236	57*52*32	0.0948	6	4.5/5.1
JC-215-568	4236	57*52*32	0.0948	6	4.8/5.5
JC-215-5678	2796	38*20*32	0.0243	1	1.2/1.7

PLASTIC WATER JUGS



JC-2310
11.5*11.5*20
1400ml

JC-2311
11.5*11.5*27
2000ml



JC-2312
11.5*11.5*20
1200ml

JC-2313
11.5*11.5*27
1800ml



JC-2312A
11.5*11.5*20
1200ml

JC-2313A
11.5*11.5*27
1800ml



JC-2316
8*22
750ml



JC-1901
7.5*21.5
320ml



JC-1815
7*17
500ml

PACKAGE INFORMATION

ITEM	PCS/40'HQ	CTN SIZE(CM)	CBM	PCS /CTN	N.W/G.W
JC-2310	22195	70*46*45	0.0607	48	15/16
JC-2311	17220	70 *46*58	0.0821	48	17/18
JC-2312	22195	70*46*45	0.0607	48	14.4/15.4
JC-2313	17220	70*46*58	0.0821	48	15.8*16.8
JC-2312A	22195	70*46*48	0.0975	48	14.4/15.4
JC-2313A	17220	70*46*58	0.1319	48	15.8/16.8
JC-	34580	59.5*36*67	0.1395	72	11.5/12
JC-1901	52632	64.5*31*45.5	0.0924	72	7.4/8.4
JC-1815	38550	50*35*50	0.0875	50	3.7/4.3

SUNDRY



JC-2812
26*26*1.6



JC-1817
23.5*9.5*25



JC-1905A
29.5*22.5*30
13.8L



JC-1905B
29.5*22.5*30
13.8+2.6L



JC-1905C
29.5*22.5*30
13.8+2.6+2.6L



JC-2105
28*20*15.5
8-Inch



PACKAGE INFORMATION

ITEM	PCS/40'HQ	CTN SIZE(CM)	CBM	PCS /CTN	N.W/G.W
JC-2812	104760	53*27*54	0.0773	120	15/16
JC-1817	122880	61*45*24	0.0659	120	10/10.5
JC-1905A	12624	59*29*50	0.0856	16	8.3/9.3
JC-1905B	8770	59*29*45	0.077	10	7/8kg
JC-1905C	6864	59*29*46	0.0787	8	7/8kg
JC-1906	9585	50.5*34*61.5	0.1056	15	12.2/13.2

SUNDRY



JC-2301
29.3*16*24



JC-2302
33*22*27



JC-2303
37*24*23

软皮面款



JC-8002



JC-8003



硬面款



JC-8007



JC-8008

PACKAGE INFORMATION

ITEM	PCS/40'HQ	CTN SIZE(CM)	CBM	PCS /CTN	N.W/G.W
JC-2301	27623	56*31.5*33	0.0582	24	6.1/7.1
JC-2302	19769	56*35*41.5	0.0813	24	6.8/7.8
JC-2303	13993	76*36*63	0.1724	36	11.8/12.8
JC-8002	10080	70*34.5*66	0.1594	24	14.7/15.5
JC-8007	10080	70*34.5*66	0.1594	24	13/14
JC-8007	3348	77*41*76	0.24	12	12.6/13.6
JC-8008	3348	77*41*76 59	0.24	12	12/13